

PTC & CREO: THE IDEAL CHOICE FOR CAD



PTC OFFERS A COMPLETE DIGITAL THREAD SOLUTION FEATURING PRODUCTS SUCH AS:



PTC's industry standard 3D CAD software.



PTC's enterprise PLM software.



PTC's industrial IoT software.



PTC's application lifecycle management platform.



PTC's scalable AR software.

With continuous investment of additional technologies like:



PTC's asset-centric field service management leader.

And software-as-a-service solutions like:



PLM delivered via SaaS.



Configuration and management capabilities delivered via SaaS.



3D CAD delivered via SaaS.

WHY IS CREO THE RIGHT CAD SOLUTION FOR YOU?

Creo's parametric modeling captures geometry, dimensions, design intent AND automated engineering tasks.

Creo fully integrates capabilities to seamlessly:



CONCEPTUALIZE



DESIGN



ANALYZE



VALIDATE

Creo maintains associativity throughout the development process.

And by going model based with Creo, fully annotated 3D models replace 2D drawings and streamline:

MANUFACTURE



Small enterprise designing helicopters.

CASE STUDY

INSPECTION



Medium-sized enterprise making optical systems.

CASE STUDY

SERVICE



Large enterprise focused on creating solutions for the outdoor environment.

CASE STUDY

CREO IS:



SCALABLE

Everything from small start-ups to the world's largest manufacturers.



OPEN SYSTEM

Creo is an open design solution with a robust API to allow customers and partners to build powerful and carefully integrated customizations for Creo.



DIVERSE IN CUSTOMER BASE

From kitchen and bath product manufacturers like LIXIL and automotive manufacturers like Cupra to the Lawrence Livermore National Laboratory that recently achieved a breakthrough in nuclear fusion.



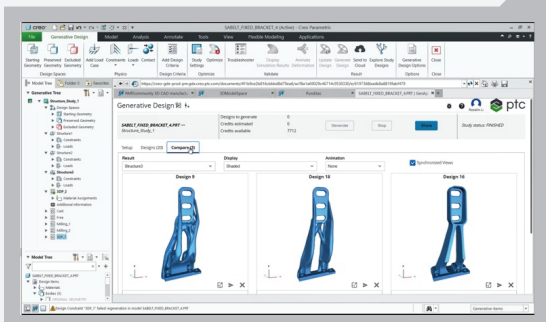
INDUSTRY LEADERS INNOVATE WITH CREO

You can't go a single day without encountering a product engineered, manufactured, or serviced with Creo software.



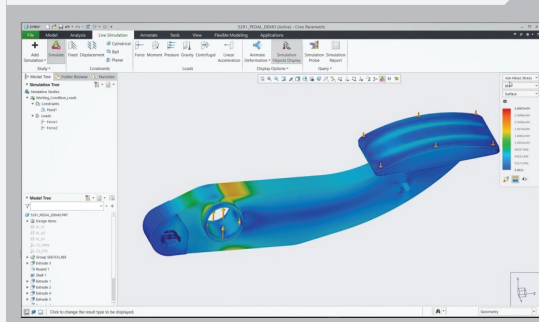
CREO HAS BEST IN CLASS TECHNOLOGY LEADERSHIP

GENERATIVE DESIGN



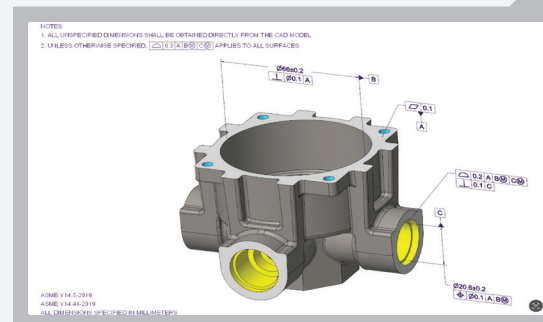
Inspiring your next product.

ANSYS POWERED SIMULATION



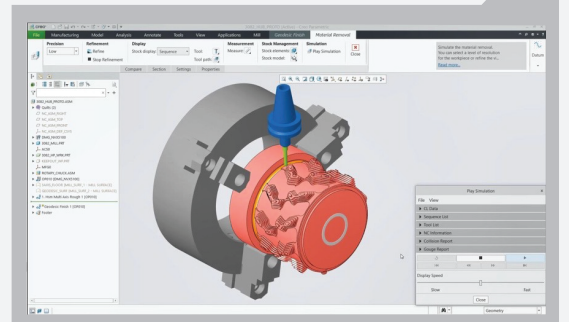
For engineers and analysts.

MODEL-BASED DEFINITION



Establish the single source of truth.

MANUFACTURING CAPABILITIES



Like additive or subtractive manufacturing.

THE CREO ADVANTAGE



www.ptc.com

© Copyright 2023 PTC

Creo is the 3D CAD solution that helps you accelerate product innovation to build better products faster. Easy-to-learn Creo uses a model-based approach to seamlessly take you from the earliest phases of product design to manufacturing and beyond. Combining powerful, proven functionality with new technologies including generative design, real-time simulation, advanced manufacturing, IIoT and augmented reality, Creo helps you iterate faster, reduce costs and improve product quality.

Creo is also available as a SaaS product, providing Innovative cloud-based tools for real-time collaboration and streamlined license management and deployment. The world of product development moves quickly, and only Creo delivers the transformative tools you need to build competitive advantage and gain market share.